

RFFEMRX07-10 Front End Module operates from 2-7 GHz and can be used in low power C, S band application. The input and output are matched to 50 ohms with on-chip DC blocking capacitors. The device is specifically designed to use in point-to-point radios for 5G RF Transceiver & SATCOM. The technology used to design front-end module is 0.1um GaAs pHEMT process. Results are shown in datasheet with all parasitics & coupling effects at desired frequency.

Features:

- RF Frequency: 2-7 GHz
- RX Gain of 32 dB
- RX Output P1dB of 19.5 dBm
- Noise Figure of 2 dB
- TX Bias: VDD=4V, VGG= - 0.65V, ID= 77mA
- Die size: 2.4 mm x 2.3 mm

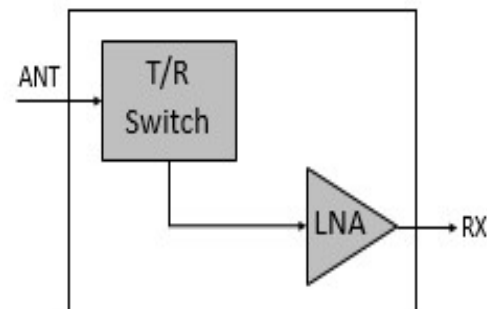
Application:

- Wi-Fi 6
- Bluetooth Application
- Zigbee
- Satellite Communication
- TDD/FDD System
- Internet of Things

Tech Specs:

- Part Number: RFFEMRX07-10
- Provider: RFIC Solutions Inc.
- Foundry node: 0.1um GaAs pHEMT Win Semiconductors
- Porting: IP can be ported to 65nm Si / CMOS node

Functional Block Diagram:



Deliverables:

- Schematic and Netlist
- Abstract Model (.lib file)
- Layout View(Optional)
- Behavioral model (Circuit & EM simulation)
- Extracted View(Optional)
- GDSII
- DRC, LVS, Antenna report
- Test bench with configuration(Optional)
- Documentation

Contact Information

Email: smoghe@rficsolutions.com, Tel: (+1) 840 356 8957, (+91) 9022078131, (+91) 8485841789

RFIC confidential property not to be copied or disclosed without prior authorization.