

RFPA06-10 is a two-stage Power Amplifier that operates from 2 - 6 GHz and can be used in low-power S, and C band applications or to drive the high-power amplifier. The amplifier provides 30 dB small signal gain and 26 dBm of Output P1dB. The input and output are matched to 50 ohms with on-chip DC blocking capacitors. The device is specifically designed for use in 2 - 6 GHz frequency in point-to-point radios for cellular backhaul Applications, 5G RF transceivers & SATCOM. The technology used to design DA is 0.1um GaAs pHEMT Process. Results are shown in the datasheet with all parasitic & coupling effects at the desired frequency.

Features:

- RF Frequency: 2-6 GHz
- Gain of 30 dB.
- Output P1dB of 26 dBm.
- Noise Figure of 2.4 dB.
- OIP3 is 35 dBm.
- Output Saturated Power: 28 dBm.
- Bias: VDD1= 4V, VGG1=-0.5V, ID= 399mA
- 0.1um GaAs pHEMT Technology.
- Die Size: 1.3 mm x 2.4 mm

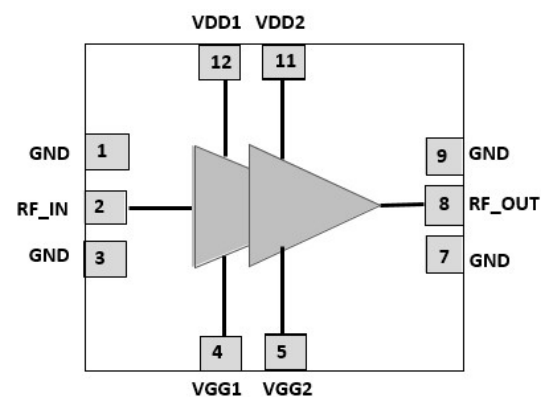
Application:

- 5G mobile system.
- Satellite Communication.
- Point-to-point communication system.
- Wi-Fi.
- IoT.

Tech Specs:

- Part Number: RFPA06-10
- Provider: RFIC Solutions Inc.
- Foundry node: 0.1um GaAs pHEMT Win Semiconductors
- Porting: IP can be ported to 65nm Si / CMOS node
- Maturity: IC is fabricated and tested.
- Availability: Now

Functional Block Diagram:



Deliverables:

- Schematic and Netlist
- Abstract Model (.lib file)
- Layout View(Optional)
- Behavioral model (Circuit & EM simulation)
- Extracted View(Optional)
- GDSII
- DRC, LVS, Antenna report
- Test bench with configuration(Optional)
- Documentation

Contact Information

Email: smoghe@rficsolutions.com, Tel: (+1) 840 356 8957, (+91) 9022078131, (+91) 8485841789

RFIC confidential property not to be copied or disclosed without prior authorization.